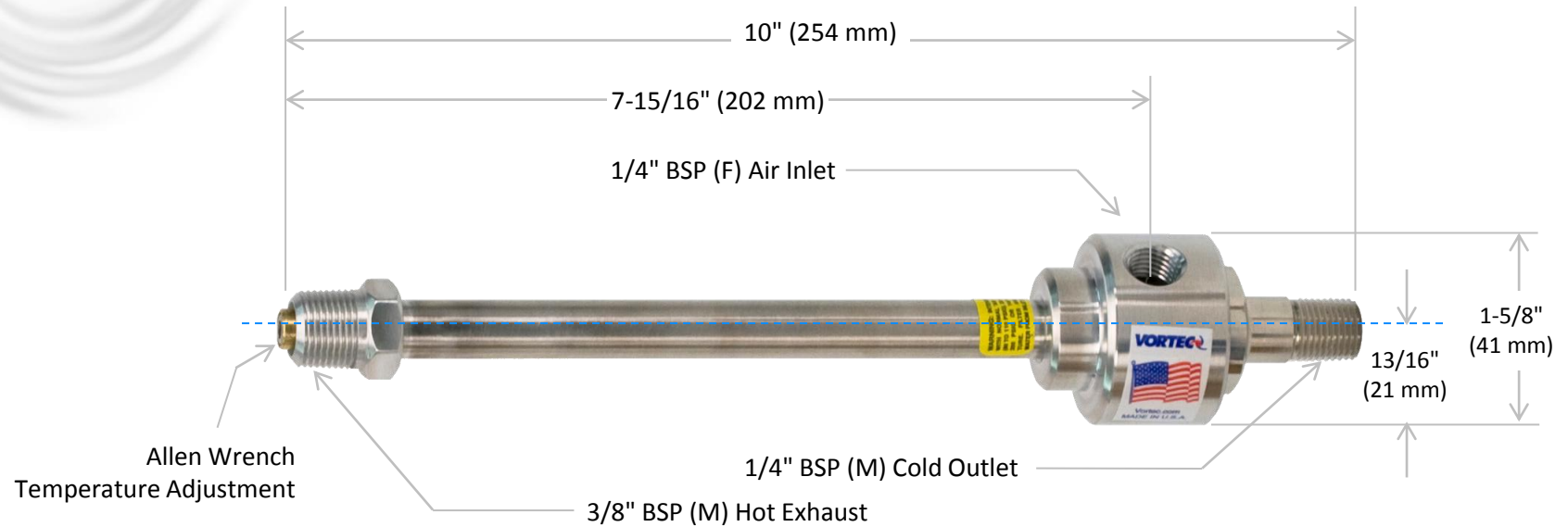


Vortex Tube

Model 308



SPECIFICATIONS								
Product	Cooling Capacity		Air Consumption		Inlet Size	Outlet Size	Weight	
	BTU/hr	Watts	SCFM	SLPM			lbs	kg
308-35-H	2650	777	35	990	1/4 inch BSP (F)	1/4 inch BSP (M)	0.45	0.2

Note: Specifications are for 100 psig (6.9 bar) compressed air.